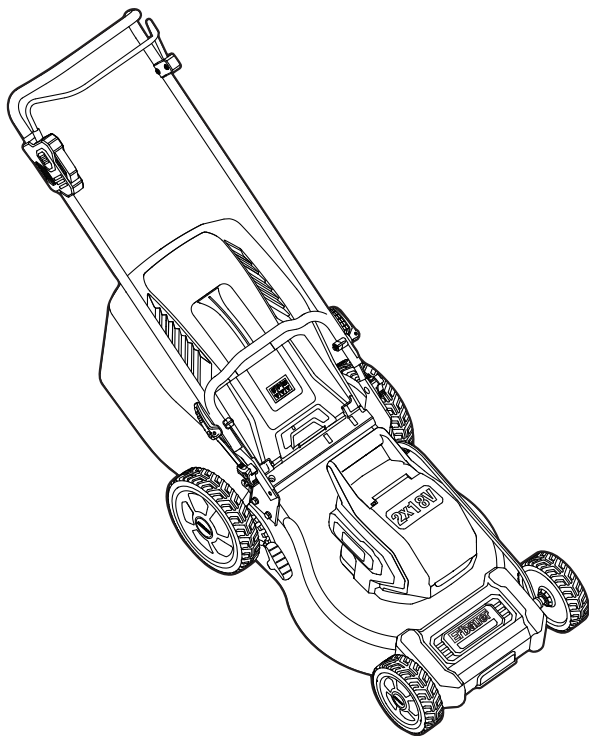




**Erbauer**



# ELM18-Li

EAN. 3663602418276

**EN** ORIGINAL INSTRUCTIONS





Product description



Safety instructions



Assembly



Use



+



Care & maintenance



Guarantee



Declaration of Conformity



**WARNING!** Please read all safety warnings carefully and be sure that they are fully understood before handling the tool.



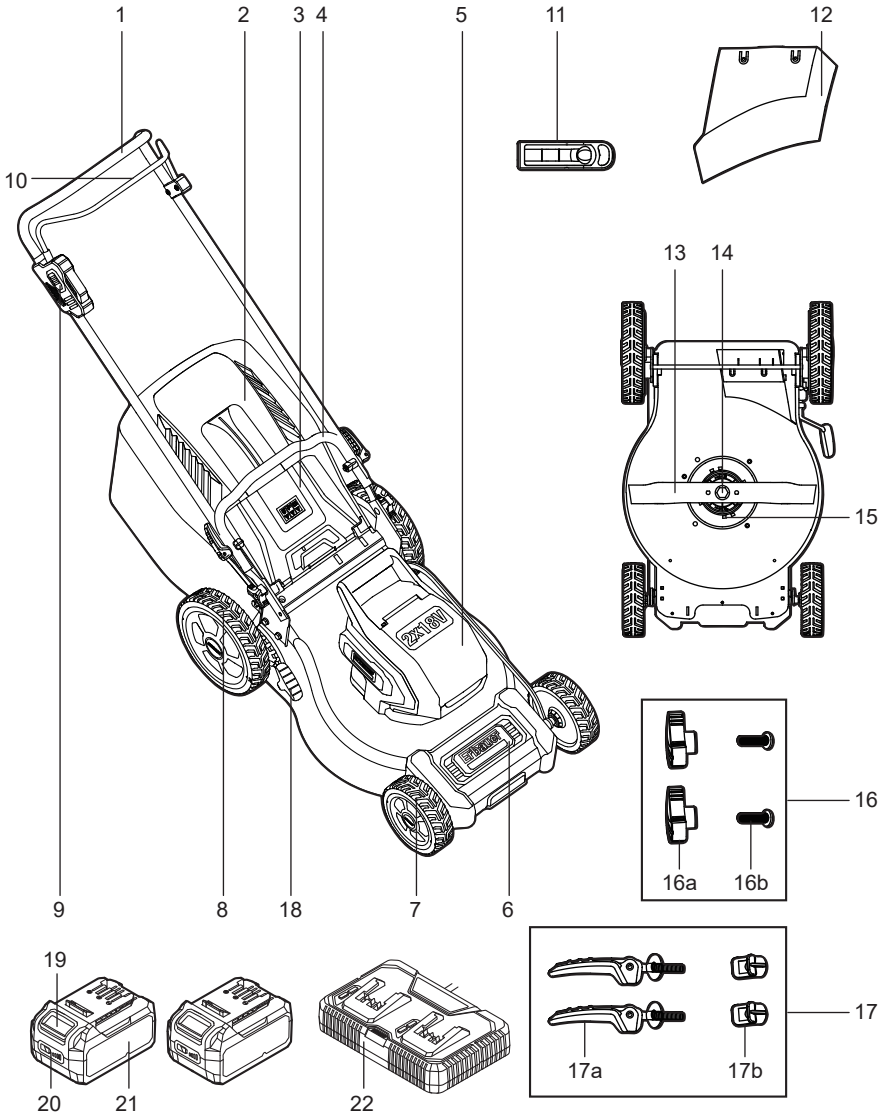
(27mm)

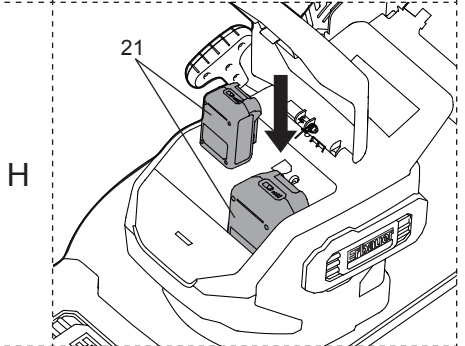
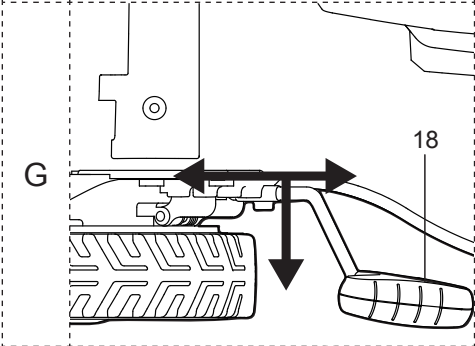
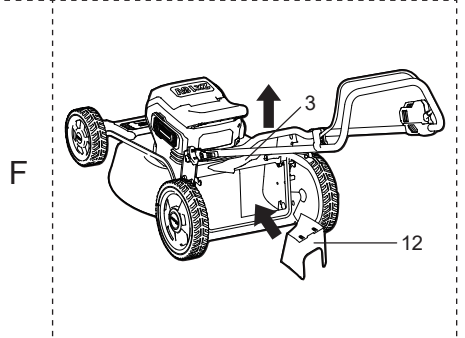
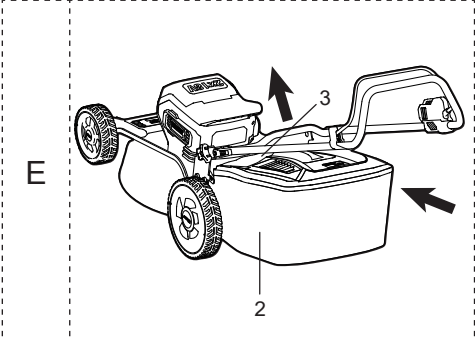
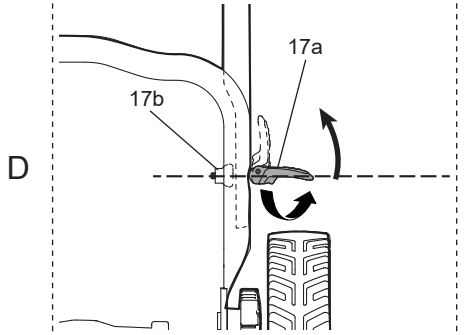
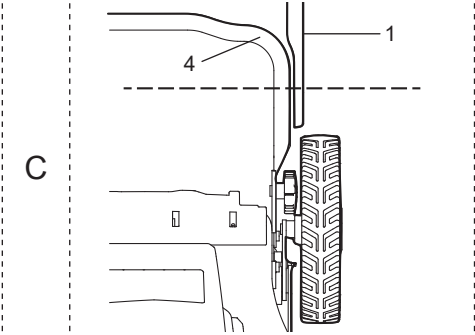
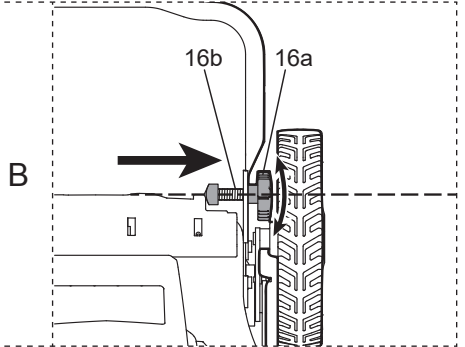
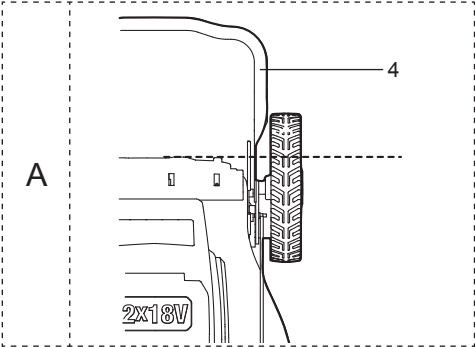
## PRODUCT DESCRIPTION

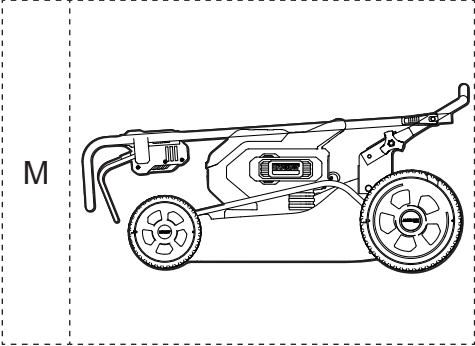
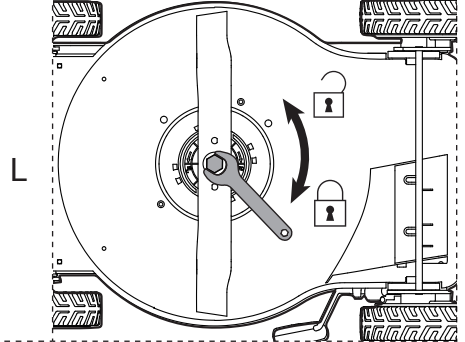
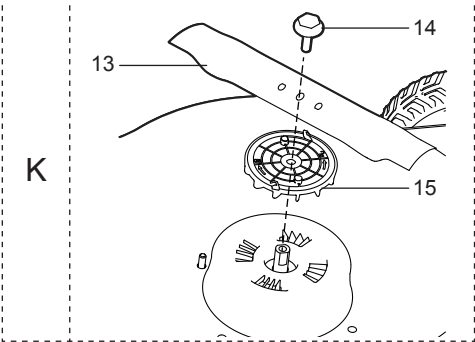
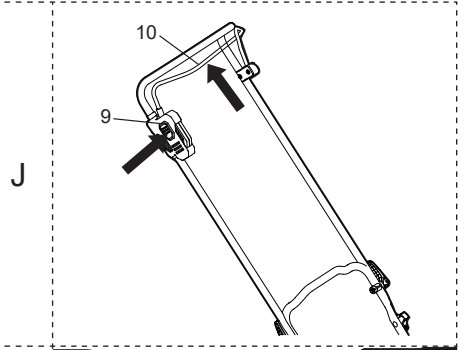
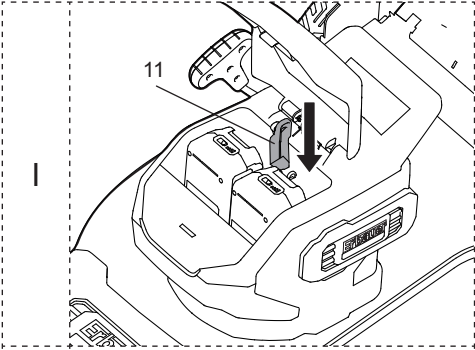
- |                           |                                         |
|---------------------------|-----------------------------------------|
| 1. Upper handle bar       | 14. Hex bolt (27mm)                     |
| 2. Grass bag              | 15. Fan                                 |
| 3. Rear-discharge door    | 16. Fixing devices for lower handle bar |
| 4. Lower handle bar       | 16a. Wheel                              |
| 5. Battery compartment    | 16b. Bolt                               |
| 6. Deck cover             | 17. Fixing devices for upper handle bar |
| 7. Front wheel            | 17a. Locking lever with bolt            |
| 8. Rear wheel             | 17b. Nut                                |
| 9. Safety lock-off switch | 18. Cutting height adjustment lever     |
| 10. Start lever           | 19. Battery pack release button         |
| 11. Safety key            | 20. Power bar button                    |
| 12. Mulching insert       | 21. Battery pack                        |
| 13. Blade                 | 22. 1-hour quick charger                |



# PRODUCT DESCRIPTION









## SAFETY INSTRUCTIONS

### ELECTRICALLY POWERED LAWN MOWER SAFETY WARNINGS



#### IMPORTANT

Read carefully before use.



Keep for future reference.

### TRAINING

- a. *Read the instructions carefully. Be familiar with the controls and the correct use of the product.*
- b. *Never allow children or people unfamiliar with these instructions to use the product. Local regulations can restrict the age of the operator.*
- c. *Never operate the machine while people, especially children, or pets are nearby.*
- d. *Keep in mind that the operator or user is responsible for accidents or hazards occurring to other people or their property.*

### PREPARATION

- a. *While operating the machine always wear substantial footwear and long trousers. Do not operate the product when barefoot or wearing open sandals. Avoid wearing clothing that is loose fitting or that has hanging cords or ties.*
- b. *Thoroughly inspect the area where the product is to be used and remove all objects which can be thrown by the product.*
- c. *Before using, always visually inspect to see that the cutting device, cutting device bolts and cutting device assembly are not worn or damaged. Replace worn or damaged cutting devices and bolts in sets to preserve balance. Replace damaged or unreadable labels.*

- d. *CAUTION! Do not touch a rotating cutting device.*
- e. *Before use check the supply and extension cord for signs of damage or aging. If the cord becomes damaged during use, disconnect the cord from the supply immediately. DO NOT TOUCH THE CORD BEFORE DISCONNECTING THE SUPPLY. Do not use the product if the cord is damaged or worn.*

## **OPERATION**

- a. *Operate the product in daylight or in good artificial light.*
- b. *Avoid operating the product in wet grass.*
- c. *Always be sure of your footing on slopes.*
- d. *Walk, never run.*
- e. *Mow across the face of slopes, never up and down.*
- f. *Exercise extreme caution when changing direction on slopes.*
- g. *Do not mow excessively steep slopes.*
- h. *Use extreme caution when reversing or pulling the product towards you.*
- i. *Stop the cutting device(s) if the product has to be tilted for transportation when crossing surfaces other than grass, and when transporting the product to and from the area to be used.*
- j. *Never operate the product with defective guards, or without safety devices, for example deflectors and/or grass catchers, in place.*
- k. *Start the product or switch on the product carefully according to instructions and with feet well away from the cutting device(s).*
- l. *Do not tilt the product when switching on the motor, except if the product has to be tilted for starting. In this case, do not tilt it more than absolutely necessary and lift only the part, which is away from the operator.*
- m. *Do not start the product when standing in front of the discharge chute.*



- n. Do not put hands or feet near or under rotating parts. Keep clear of the discharge opening at all times.*
- o. Never pick up or carry a product while the starter key is inserted.*
- p. Stop the machine, and remove the disabling device. Make sure that all moving parts have come to a complete stop*
  - Whenever you leave the product,
  - Before clearing blockages or unclogging chute,
  - Before checking, cleaning or working on the product,
  - After striking a foreign object. Inspect the machine for damage and make repairs before restarting and operating the product; if the product starts to vibrate abnormally (check immediately)
  - Inspect for damage,
  - Replace or repair any damaged parts,
  - Check for and tighten any loose parts.

## **MAINTENANCE AND STORAGE**

- a. Keep all nuts, bolts and screws tight to be sure the product is in safe working condition.*
- b. Check the grass catcher frequently for wear or deterioration.*
- c. Be careful during adjustment of the product to prevent entrapment of the fingers between moving blades and fixed parts of the product.*
- d. Always allow the machine to cool down before storing.*
- e. When servicing the blades be aware that, even though the power source is switched off, the blades can still be moved.*
- f. Replace worn or damaged parts for safety. Use only genuine replacement parts and accessories.*
- g. Wear strong work gloves when removing and re-assembling the cutting device.*
  - If the appliance is to be stored unused for a long period, the batteries should be removed;

- The supply terminals are not to be short-circuited.

## BATTERY TOOL USE AND CARE

- Recharge only with the charger specified by the manufacturer.** *A charger that is suitable for one type of battery pack may create a risk of fire when used with another battery pack.*
- Use power tools only with specifically designated battery packs.** *Use of any other battery packs may create a risk of injury and fire.*
- When battery pack is not in use, keep it away from other metal objects, like paper clips, coins, keys, nails, screws or other small metal objects, that can make a connection from one terminal to another.** *Shorting the battery terminals together may cause burns or a fire.*
- Under abusive conditions, liquid may be ejected from the battery; avoid contact. If contact accidentally occurs, flush with water. If liquid contacts eyes, additionally seek medical help.** *Liquid ejected from the battery may cause irritation or burns.*
- Do not use battery pack or tool that is damaged or modified.** *Damaged or modified batteries may exhibit unpredictable behaviour resulting in fire, explosion or risk of injury.*
- Do not expose a battery pack or tool to fire or excessive temperature.** *Exposure to fire or temperature above 130 °C may cause explosion.*
- Follow all charging instructions and do not charge the battery pack or tool outside the temperature range specified in the instructions.** *Charging improperly or at temperatures outside the specified range may damage the battery and increase the risk of fire.*

## VIBRATION AND NOISE REDUCTION

To reduce the impact of noise and vibration emission, limit the time of operation, use low-vibration and low-noise operating modes as well as wear personal protective equipment.

Take the following points into account to minimize the vibration and noise exposure risks:

- a. *Only use the product as intended by its design and these instructions.*
- b. *Ensure that the product is in good condition and well maintained.*
- c. *Use correct cutting attachments for the product and ensure they in good condition.*
- d. *Keep tight grip on the handles/grip surface.*
- e. *Maintain this product in accordance with these instructions and keep it well lubricated (where appropriate).*
- f. *Plan your work schedule to spread any high vibration tool use across a longer period of time.*

## EMERGENCY

Familiarise yourself with the use of this product by means of this instruction manual. Memorise the safety directions and follow them to the letter. This will help to prevent risks and hazards.

- a. *Always be alert when using this product, so that you can recognise and handle risks early. Fast intervention can prevent serious injury and damage to property.*
- b. *Switch off and disconnect from the power supply if there are malfunctions. Have the garden power tool checked by a qualified professional and repaired, if necessary, before you operate it again.*

## RESIDUAL RISKS

Even if you are operating this product in accordance with all the safety requirements, potential risks of injury and damage remain. The following dangers can arise in connection with the structure and design of this product:

- a. *Health defects resulting from vibration emission if the product is being used over long periods of time or not adequately managed and properly maintained.*
- b. *Injuries and damage to property due to broken cutting attachments or the sudden impact of hidden objects during use.*
- c. *Danger of injury and property damage caused by flying objects.*



**WARNING!** This product produces an electromagnetic field during operation! This field may under some circumstances interfere with active or passive medical implants! To reduce the risk of serious or fatal injury, we recommend persons with medical implants to consult their doctor and the medical implant manufacturer before operating this product!



## ASSEMBLY

### 01 UNPACKING

Unpack all parts and lay them on a flat, stable surface.

- Remove all packing materials and shipping devices, if applicable.
- Make sure the delivery contents are complete and free of any damage. If you find that parts are missing or show damage do not use the product but contact your dealer. Using an incomplete or damaged product represents a hazard to people and property.
- Ensure that you have all the accessories and tools needed for assembly and operation. This also includes suitable personal protective equipment



**WARNING!** The product and the packaging are not children's toys!

Children must not play with plastic bags, sheets and small parts! There is a danger of choking and suffocation!

### 02 ASSEMBLY



**WARNING!** The product must be fully assembled before operation! Do not use a product that is only partly assembled or assembled with damaged parts! Follow the assembly instructions step-by-step and use the pictures provided as a visual guide to easily assemble the product!

Do not attach the battery pack (21).



**NOTE:** Take care of small parts that are removed during assembly or when making adjustments. Keep them secure to avoid loss.

#### ASSEMBLING THE HANDLE BARS(FIG. A-D AND M)

Align the holes on the lower handle bar (4) with the ribs on the mower (Fig. A) to assemble them with bolts (16b) and wheels (16a). (Fig. B)

Align the holes on the upper handle bar (1) with the holes on the lower handle bar (4) (Fig. C) to assemble them with locking levers (17a) and nuts (17b).(Fig. D)



**NOTE:** Adjust the upper handle bar (1) to the working (Fig. C)/ storage (Fig. M) positions by loosening the locking levers (17a) on both sides of the upper handle.



**WARNING!** Do not attempt to start the mower until the upper handle bar(1) has been locked at a working position.

## ATTACHING/REMOVING THE GRASS BAG (FIG. E)



**WARNING!** Do not at any time make any adjustment to the lawn mower without first stopping the motor, removing the battery pack (21) and / or safety key (11) and waiting for the blade to stop rotating.



**NOTE:** Attach any of the useful attachments to the lawn mower before mowing.



**NOTE:** Remove the pre-installed mulching insert (12) before attaching the grass bag (2) to the mower.

Lift the rear-discharge door (3) and align the rods on the grass bag (2) with the slots on the mower to assemble it. (Fig. E)

To remove, just lift the rear-discharge door (3) and remove the rods of grass bag (2) from slots.

## ATTACHING/REMOVING THE MULCHING INSERT (FIG. F)



**WARNING!** Do not at any time make any adjustment to the lawn mower without first stopping the motor, removing the battery pack (21) and waiting for the blade to stop rotating.

Lift the rear-discharge door (3) and insert the mulching insert (12) into the grass outlet of mower. And then release the rear-discharge door(3). (Fig. F) To remove it, lift the rear-discharge door (3) and just pull the mulching insert (12) out directly. And then release the rear-discharge door (3).



**NOTE:** The mulching insert (12) must be removed in order to install and use the grass bag (2).

## CHARGING YOUR BATTERY PACK

The battery has been shipped in a low charge condition. Charge it fully before first use. Refer to the charger instruction manual for the details.

### TO REMOVE OR INSTALL THE BATTERY PACK (FIG. H)

Depress the battery pack release button (19) to release and slide the battery pack (21) out from your tool.

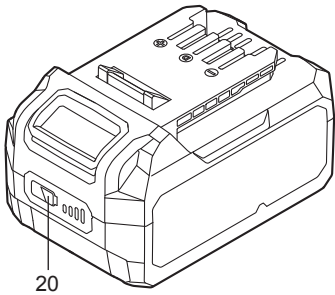
After recharge, slide it back into your tool. A simple push and slight pressure will be sufficient.



**NOTE:** Two batteries should be used together to start the mower. One battery only can not start the mower.

### BATTERY PACK POWER BAR

The Li-Ion battery pack (21) is equipped with a POWER BAR which is used to give an indication of the battery pack's remaining charge. Press the POWER BAR button (20) to check battery charge as below. The LED will stay lit for approximately 5 seconds.

	76-100% Charge	
	51-75% Charge	
	26-50% Charge	
	5-25% Charge	
	under 5% Charge	

### SAFETY KEY (FIG. I)

Insert the safety key (11) into the assembly slot (Fig. I).

In order to prevent accidental start-up or unauthorised use of your cordless mower, a removable safety key (11) has been incorporated into the design of your mower. The mower will be completely disabled when the safety key (11) has been removed from the mower.



**DANGER!** Rotating blades can cause serious injury. To prevent serious injury, remove the safety key (11) when the mower is unattended, or when adjusting, cleaning, servicing, transporting, lifting, or storing the mower.



## USE

### 01 INTENDED USE

The product is intended for mowing grass in domestic gardens only. It must not be used to mow unusually high, dry or wet grass, e.g. pasture grass; or for shredding leaves.

### 02 OPERATION



**WARNING!** Do not allow familiarity with this product to make you careless. Remember that a careless fraction of a second is sufficient to inflict serious injury.



**WARNING!** Do not use any attachments or accessories not recommended by the manufacturer of this product. The use of attachments or accessories not recommended can result in serious personal injury.

### ADJUSTING THE CUTTING-HEIGHT (FIG. G)



**WARNING!** Do not at any time make any adjustment to the lawn mower without first stopping the motor, removing the battery pack (21) and waiting for the blade to stop rotating.



**WARNING!** Keep your feet away from the deck when adjusting its height. The mower can be set to 6 cutting heights between 25mm and 75mm. Choose the proper cutting height according to the type and condition of the grass.

Pull out the cutting height adjustment lever (18), then move it forward or backward to adjust the cutting height. (Fig. G)



## STARTING/STOPPING THE MOWER (FIG. H-J)



**WARNING!** The operation of any lawn mower can result in foreign objects being thrown into your or others' eyes, which can damage eyes severely. Always wear safety glasses while operating the mower or while performing any adjustments or repairs on the mower.



**WARNING!** Ensure that other people and pets remain at least 30m away from the mower when it is in use.



**WARNING!** The blade will continue to rotate for a few seconds after the mower is turned off. Allow the motor/blade to stop rotating before starting it again. Do not rapidly turn the mower off and on.

### To start

Insert the battery packs (21) into the terminals inside the mower (Fig. H), and then insert the safety key (11) into the key slot and close the battery compartment (Fig. I).

Depress the safety lock-off switch (9) first, and then pull back the start lever (10) to meet the handle and release the safety lock-off switch (9) to start the machine. (Fig. J).

### To stop

Fully release the start lever (10).

The electric brake in the Automatic Braking Mechanism will stop the blade (13) rotation within 3 seconds after the start lever (10) release.

### EMPTY THE GRASS BAG

Empty the grass bag (2) frequently during use. Do not wait until it is completely full. We recommend emptying it when it is half full.

Remove the grass bag (2) as the steps in **ASSEMBLING THE MACHINE-ATTACHING/ REMOVING THE GRASS BAG**. Empty the grass clippings onto a compost heap.

Re-fit the grass bag (2) to the product.(Fig. E)



**WARNING!** Do not attempt to use the product without the grass bag (2) attached when collecting grass – danger of flying objects!

Switch the motor off and wait that the blade had come to a complete stop before removing the grass bag!



**NOTE:** A full grass catch will reduce the performance of this product.

**OVERLOAD, TEMPERATURE AND CHARGING PROBLEM**

<b>PROBLEM</b>	<b>TOOL / BATTERY STATUS</b>	<b>POSSIBLE CAUSE</b>	<b>SOLUTION</b>
Overload protection	Product suddenly stops	Extremely high torque, binding and stalling situations, overloading of the tool	Relieve the load immediately, reset the tool by switching off and back on again.
Temperature extremely high	The first and the third LED light of the POWER BAR will be flashing alternately	Battery temperature exceeds 77°C during operation	Cool down the battery to below 77°C for operation and below 57°C for charging.
Low charge	Power for the tool will drop quickly; The first LED on the POWER BAR begins to flash	The battery pack is under 5% charge	Remove the battery pack from the tool and charge it
Other problems	Short charges	Not fully charged	Make sure that battery is fully charged every time by allowing the charger to complete its full charging cycle
		Poor storage condition	Always remove battery from the tool and charger when not in use and store in a dry secure place. Avoid charging of storing your battery in temperatures below 5°C and above 40°C. Cool down a hot battery pack from a tool that has just been operated for approximately 30 minutes before storage



## CARE & MAINTENANCE



**WARNING!** Always switch the product off, remove the battery pack (21) and let the product cool down before performing inspection, maintenance and cleaning work!

Only perform care and maintenance work according to these instructions!  
All further works must be performed by a qualified specialist!

### CLEANING THE MOWER



**WARNING!** Always remove the safety key (11) and battery pack (21) when servicing or transporting the mower.

The underside of mower deck should be cleaned after each use, as grass clippings, leaves, dirt and other debris will accumulate. This accumulation is undesirable, as it will promote rust and corrosion on metal parts and reduce the cutting efficiency of the mower. Wipe the mower clean with a damp cloth.



**NOTE:** Do not use chemical, alkaline, abrasive or other aggressive detergents or disinfectants to clean this product as they might be harmful to its surfaces.

### REMOVING/INSTALLING THE BLADE(FIG. K-L)



**WARNING!** Wear safety gloves when working on the blade and close to it! Use proper tools to remove debris, e. g. a wooden stick! Never use your bare hands!



Always use original spare parts for replacement. Do not attach any other type of cutting device!

The replacement of the cutting device should be done by a qualified specialist! Rework or sharpening blades is not recommended unless it is done by a repair service or a similarly qualified specialist!

- Turning the mower upside down first. Keep the underbody and blade (13) clean and free of debris. Remove clippings from the discharge chute.
- Check all fasteners, such as nuts and bolts, periodically for tightness before operation. After prolonged use, especially in sandy soil conditions, the blade will become worn and lose some of the original shape. The cutting efficiency will be reduced, and the blade should be replaced.

- Keep the blade (13) sharp to ensure a good cutting performance. Replace a worn or damaged cutting device with a new one of the same type or have it sharpened by a qualified specialist.
- Loosen the hex bolt (14) anti-clockwise using a suitable wrench and remove it together with the blade (13) (Fig. K).
- Attach a blade (13) with a same type onto the spindle, pay attention to correct alignment. Insert the hex bolt (14) on the spindle. Tighten the hex bolt clockwise with 60 N.m max torque to ensure safe operation of your product (Fig. L).
- Replace this blade after 50 hours mowing or 2 years whichever is sooner regardless of condition. If the cutting device is cracked or damaged, you must immediately replace it with a new one.

## MAINTENANCE

Your power tool requires no additional lubrication or maintenance.

There are no user serviceable parts in your power tool.

Before and after each use, check the product and accessories (or attachments) for wear and damage. If required, exchange them for new ones as described in this instruction manual. Observe the technical requirements.

## TRANSPORTATION



**WARNING!** Always carry the product by its main handle.

Never use the cord for carrying the product.

- Switch the product off and remove the safety key and battery packs.
- Protect the product from any heavy impact or strong vibrations which may occur during transportation in vehicles.
- Secure the product to prevent it from slipping or falling over.

## STORAGE

- Switch the product off and remove the safety key and battery packs.
- Clean the product as described above.
- Store the product and its accessories in a dark, dry, frost-free, well-ventilated place.
- Always store the product in a place that is inaccessible to children. The ideal storage temperature is between 10 °C and 30 °C.
- We recommend using the original package for storage or covering the product with a suitable cloth or enclosure to protect it against dust.
- Do not store it next to corrosive materials, such as fertilizer or rock salt.
- Do not cover the lawn mower with a solid plastic sheet. Plastic coverings trap moisture around the mower, which causes rust and corrosion.
- The mower can be stored in a compact way by adjust the upper handle bar to the storage position (Fig. M).

## RECYCLING AND DISPOSAL



Waste electrical products should not be disposed of with household waste. Please recycle where facilities exist. Check with your Local Authority or retailer for recycling advice.



## DISPOSAL OF AN EXHAUSTED BATTERY PACK



To preserve natural resources, please recycle or dispose of the battery pack properly. This battery pack contains Li-Ion batteries. Consult your local waste authority for information regarding available recycling and/or disposal options. Discharge your battery pack by operating your tool, then remove the battery pack from the tool housing and cover the battery pack connections with heavy-duty adhesive tape to prevent short circuit and energy discharge. Do not attempt to open or remove any of the components.



## GUARANTEE

At **Erbauer** we take special care to select high quality materials and use manufacturing techniques that allow us to create ranges of products incorporating design and durability. That's why we offer a 3 year trade guarantee against manufacturing defects on our **Erbauer** power tool products.

This power tool is guaranteed for 3 years from the date of purchase, if bought in store, delivered or bought online. You may only make a claim under this guarantee upon presentation of your sales receipt or purchase invoice. Please keep your proof of purchase in a safe place.

This guarantee covers product failures and malfunctions provided the **Erbauer** power tool was used for the purpose for which it is intended and subject to installation, cleaning, care and maintenance in accordance with standard practice and with the information contained above and in the user manual. This guarantee does not cover defects and damage caused by or resulting from:

- Normal wear and tear, including accessory wear
- Overload, misuse or neglect
- Repairs attempted by anyone other than an authorised agent
- Cosmetic damage
- Damage caused by foreign objects, substances or accidents
- Accidental damage or modification
- Failure to follow manufacturer's guidelines
- Loss of use of the goods

This guarantee is limited to parts recognised as defective. It does not, in any case, cover ancillary costs (movement, labour) and direct and indirect damage.

If the **Erbauer** power tool is defective during the guarantee period, then we reserve the right, at our discretion, to replace the item with a product of equivalent quality and functionality or to provide a refund.

This guarantee only applies to the country of purchase or delivery and is not transferrable to any other countries. This guarantee is non-transferrable to any other person or product. Relevant local law will apply to this guarantee.

Guarantee related queries should be addressed to a store affiliated with the distributor you purchased the **Erbauer** power tool from.

This guarantee is in addition to and does not affect your statutory rights relating to faulty goods as a consumer.

## 01 TECHNICAL SPECIFICATIONS

Rated voltage:	36 V dc (18V x 2)
Rated no load speed $n_0$ :	2800 /min
Max. cutting width:	460 mm
Adjustable cutting height range:	25/35/45/55/65/75 mm, 6 levels
Grass catcher volume:	50 L
Net weight:	21.5 kg (without battery pack)
Battery pack model:	EBAT18-Li-5
Battery voltage:	18V d.c.
Battery capacity:	5Ah
Battery cell quantity in each pack:	Li-Ion 3.6V x 10pcs
Weight:	0.7 kg
Ambient temperature range for tool and battery use:	0°C to 40°C
1-hour quick charger:	EMC18-Li
Charger rated input:	220-240 V ~ 50Hz 300W
Charger rated output:	21 V d.c. 6A
Protection class:	II
Weight:	approx. 1.6 kg

### For use with battery pack and charger as below:

Battery pack model:	EBAT18-Li-2 / EBAT18-Li-4 / EBAT18-Li-5 / EHPB18-Li-4/ EHPB18-Li-8
Charger model:	EC18-Li / EFC18-Li / EMC18-Li
Measured sound pressure level $L_{pA}$ :	78.7 dB(A)
Uncertainty K:	2.5 dB(A)
Measured sound power level $L_{WA}$ :	89.15 dB(A)
Uncertainty K:	0.78 dB(A)
Guaranteed sound power $L_{WA}$ :	92 dB(A)
Vibration level of Hand arm:	0.681 m/s <sup>2</sup>
Uncertainty K:	1.5 m/s <sup>2</sup>

The declared vibration value has been measured in accordance with a standard test method and may be used for comparing one tool with another. The declared vibration value may also be used in a preliminary assessment of exposure.

The sound intensity level for the operator may exceed 80 dB(A) and ear protection measures are necessary. .



**WARNING!** The vibration emission value during actual use of the tool can differ from the declared value depending on the ways in which the tool is used. Identify safety measures to protect the operator that are based on an estimation of exposure in the actual conditions of use (taking account of all parts of the operating cycle such as the times when the tool is switched off and when it is running idle in addition to the trigger time). Depending on the actual use of the product the vibration values can differ from the declared total. Adopt proper measures to protect yourself against vibration exposures. Take the whole work process including times the product is running under no load or switched off into consideration. Proper measures include among others regular maintenance and care of the product and accessories, keeping hands warm, periodical breaks and proper planning of work processes.

## RATING LABEL EXPLANATION

**ELM18-Li = MODEL NUMBER**

**E = ERBAUER**

**LM = LAWN MOVER**

**18 = 18 V d.c.**

**Li = LITHIUM**

## 02 SYMBOLS

V	Volt, (direct current voltage)	m/s <sup>2</sup>	Metres per second squared
/min	per minute	yyWxx	Manufacturing date code; year of manufacturing (20yy) and week of manufacturing (Wxx)
mm	Millimetre		
kg	Kilogram	dB(A)	Decibel (A-rated)
	Caution / Warning.		Read the instruction manual.
	Wear hearing protection.		Wear eye protection





Wear protective footwear.



Wear a dust mask.



Do not expose the product to rain or wet conditions.



Wear protective gloves.



Switch the product off and remove the battery pack to disconnect from the power supply before assembly, cleaning, adjustments, maintenance, storage and transportation.



Mow across the face of slopes, never up and down.



Inspect the area where the product is to be used and remove all objects which can be thrown by the product. If objects are hidden while operating stop the product and remove the object.



Keep hands and feet away from sharp rotating parts – danger of injury! When cleaning, repairing, or inspecting, make certain the cutting device and all mowing parts have stopped.



Cutting device continues to rotate after the product is switched off. Wait until all machine components have completely stopped before touching the product.



Pay special attention when working on the cutting device!



Objects thrown by the product could hit the user or other bystanders. Always ensure that other people and pets remain at a safe distance from the product when it is in operation. In general, children must not come near the area where the product is.



Beware of sharp blades. Blades continue to rotate after the motor is switched off. Remove disabling device before maintenance



The product complies with the applicable European directives and an evaluation method of conformity for these directives was done.



Guaranteed sound power level

IPX1

Protection against ingress of water degree 1

EN



WEEE symbol. Waste electrical products should not be disposed of with household waste. Please recycle where facilities exist. Check with your Local Authority or local store for recycling advice.



Do not dispose of battery packs in rivers or immerse in water.



Do not dispose of battery packs in fire. They will explode and cause injury.



Do not expose battery packs to heat in excess of 40°C

*BRUSHLESS* Brushless motor



**Manufacturer,Fabricant,Producent,Producător,Fabricante:**

UK Manufacturer:  
Kingfisher International Products Limited  
3 Sheldon Square London, W2 6PX  
United Kingdom  
[www.kingfisher.com/products](http://www.kingfisher.com/products)

EU Manufacturer:  
Kingfisher International Products B.V.  
Rapenburgerstraat 175E  
1011 VM Amsterdam  
The Netherlands  
[www.kingfisher.com/products](http://www.kingfisher.com/products)

EN	<a href="http://www.diy.com">www.diy.com</a> <a href="http://www.screwfix.com">www.screwfix.com</a> <a href="http://www.screwfix.ie">www.screwfix.ie</a>	To view instruction manuals online, visit <a href="http://www.kingfisher.com/products">www.kingfisher.com/products</a>
FR	<a href="http://www.castorama.fr">www.castorama.fr</a> <a href="http://www.bricodepot.com">www.bricodepot.com</a>	Pour consulter les manuels d'instructions en ligne, rendez-vous sur le site <a href="http://www.kingfisher.com/products">www.kingfisher.com/products</a>
PL	<a href="http://www.castorama.pl">www.castorama.pl</a>	Aby zapoznać się z instrukcją obsługi online, odwiedź stronę <a href="http://www.kingfisher.com/products">www.kingfisher.com/products</a>
ES	<a href="http://www.bricodepot.es">www.bricodepot.es</a>	Para consultar los manuales de instrucciones en línea, visite <a href="http://www.kingfisher.com/products">www.kingfisher.com/products</a>
PT	<a href="http://www.bricodepot.pt">www.bricodepot.pt</a>	Para consultar manuais de instruções online, visite <a href="http://www.kingfisher.com/products">www.kingfisher.com/products</a>
RO	<a href="http://www.bricodepot.ro">www.bricodepot.ro</a>	Pentru a consulta manualele de instrucțiuni online, vizitați <a href="http://www.kingfisher.com/products">www.kingfisher.com/products</a>
TR	<a href="http://www.koctas.com.tr">www.koctas.com.tr</a>	Kullanım kılavuzuna internet üzerinden ulaşmak için <a href="http://www.kingfisher.com/products">www.kingfisher.com/products</a> adresini ziyaret edin